

Fulfilling customer demand across markets

In our constant endeavour to fulfil customer needs, Indigo's most recent additions to the Product Portfolio each provide a solution to a specific market sector requirement. Maybe one of them is just what you've been looking for!

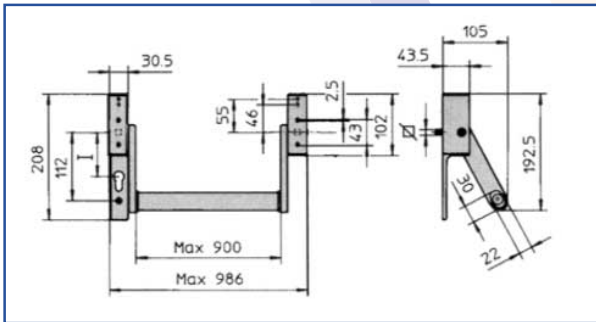
DON'T PANIC – WE'VE GOT ONE!

Suitable for use in most commercial premises the new Indigo panic bar has been developed especially for use with pvc products.

With its red bar and complementary black casing, the bar comes complete with door lock, featuring twin hardened steel pins, fitted to the top and bottom lock cases, with an automatic disengaging emergency function.

In addition there is a latch-lever function and dead bolt, with double throw 20mm projection and optional door dogging devices.

In addition, the product is non-handed and can be used with a choice of external pull or lever handles.

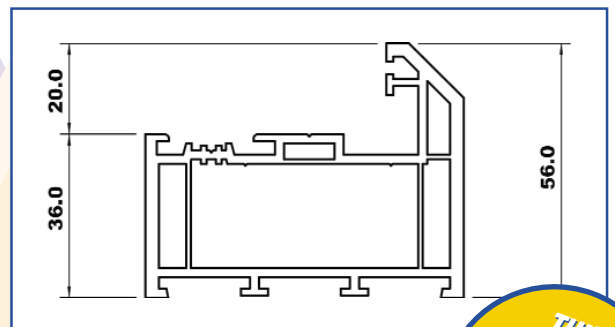


DESCRIPTION	PRICE	QUANTITY
Panic Bar Lock For Single Leaf Door	Price a standard door with mid rail Less Discount Add £300	Single Door Set
Panic Bar Lock For Double Leaf Doors	Price a double door with mid rails Less Discount Add £690	Double Door Set

Problems With Regional Character – Solved!

In certain regions across the UK the character of the buildings is determined by a deep plaster line, which can cause problems and additional work during refurbishment.

Indigo are pleased to announce the introduction of an intermediate outer frame, available across the range, which provides a suitable advantage for this type of requirement, as it is larger in width than the standard outer frame – it will also provide a cost effective solution to the problem!



DESCRIPTION	PRICE	QUANTITY
Intermediate Outer Frame	Take the standard window Price Add 6%	1 Window with Intermediate Outer Frame

New Product – Traditional Appearance

New build designs are also inclined to set trends in refurbishment styles and none more so than the return to the traditional appearance of Victorian sash windows.

For a cost effective solution many House Builders use a "mock" sash window and now you can provide that for your customers too! The new horn from Indigo enables you to offer an attractive, authentic appeal, whilst using a normal casement window for ease of installation.



DESCRIPTION	PRICE	QUANTITY
Mock Sash Horn	£5 net	Per Pair

Note: Horns will be supplied loose, but sashes will be pre – drilled